



Model: KCHUC48R

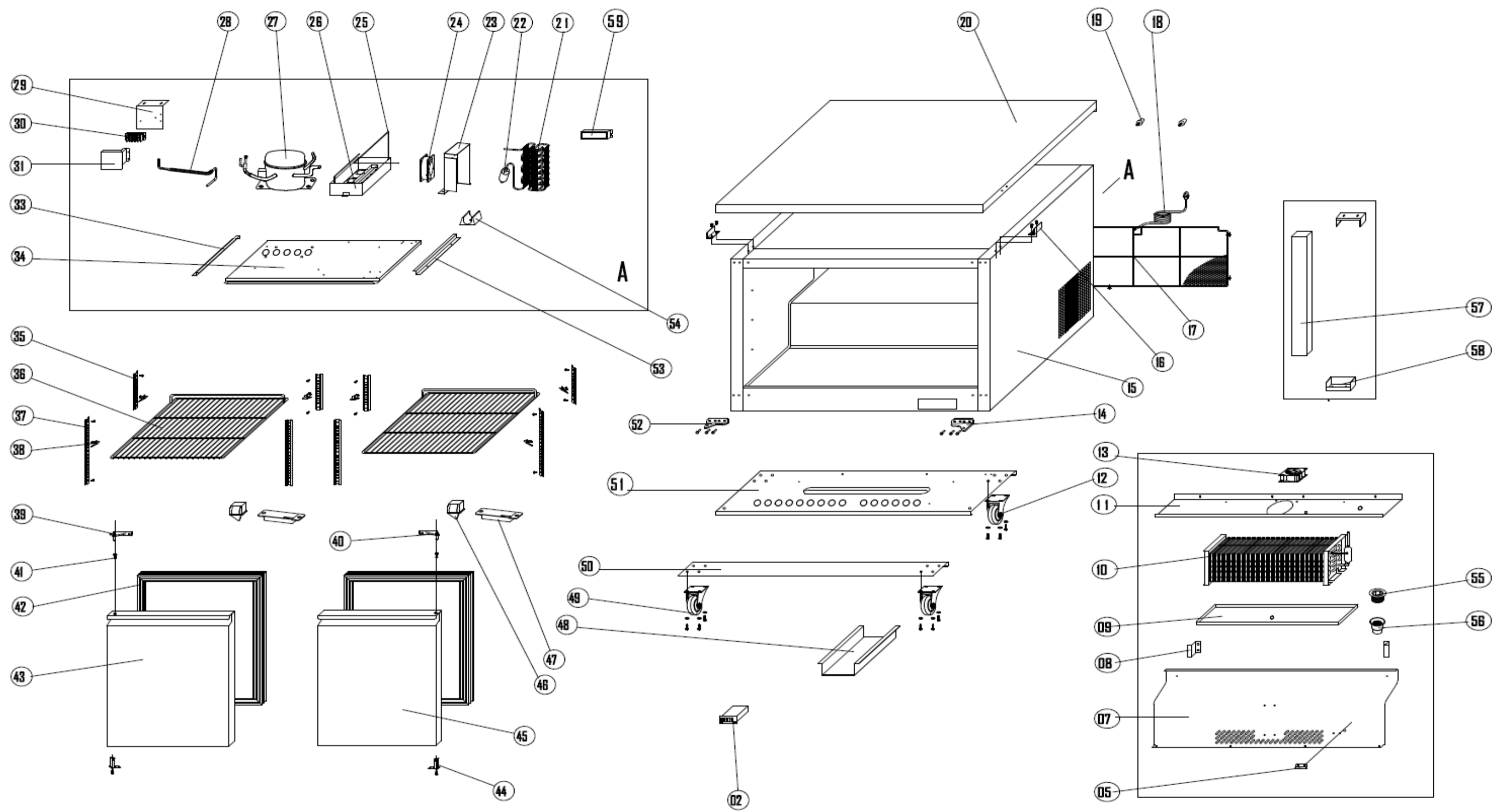
PNC: 738264

REV: 4/18/2024

### Spare Parts List

NO	DESCRIPTION	Serial #	QTY	COMPONENT PNC	Model Number	Model PNC
2	TEMPERATURE CONTROLLER	<01021226	1PC	0USF42	KCHUC48R	738264
		≥01021226	1PC	0USDET	KCHUC48R	738264
2a	Inner Chest Temperature Sensor Probe	ALL	1PC	0USC4C	KCHUC48R	738264
2b	Controller Mounting Plate	ALL	1PC	0USDIF	KCHUC48R	738264
5	Sensor Fixed Clip	ALL	1PC	0USM10	KCHUC48R	738264
7	Evaporator Cover	ALL	1PC	0USL36	KCHUC48R	738264
8	FIXED SUPPORT OF EVAPORATOR COVER	ALL	2PCS	0USK05	KCHUC48R	738264
9	Evaporator Water Pan	ALL	1PC	0USG60	KCHUC48R	738264
10	Evaporator	ALL	1PC	0USG37	KCHUC48R	738264
10a	Evaporator Temperature Sensor Probe	ALL	1PC	0USC6R	KCHUC48R	738264
11	Circle Fan Support	ALL	1PC	0USK35	KCHUC48R	738264
12	Normal Wheel	ALL	2PCS	0USH63	KCHUC48R	738264
13	Circle Fan	ALL	1PC	096250	KCHUC48R	738264
14	Lower Door Hinge/Right	ALL	1PC	0USF81	KCHUC48R	738264
15	Body	ALL	1PC	N/A	KCHUC48R	738264
16	Top Clip	ALL	2PCS	0USL80	KCHUC48R	738264
17	Unit Room Cover	ALL	1PC	0USI14	KCHUC48R	738264
18	PLUG	ALL	1PC	0USH67	KCHUC48R	738264
19	Location Knob	ALL	2PCS	0USH46	KCHUC48R	738264
20	Top	ALL	1PC	0USI01	KCHUC48R	738264
21	Condenser	ALL	1PC	0USF38	KCHUC48R	738264
22	FILTER DRIER	ALL	1PC	0USG65	KCHUC48R	738264
22a	CAPILLARY	ALL	1PC	0USM33	KCHUC48R	738264
23	Condenser Fan Board	ALL	1PC	0USK25	KCHUC48R	738264
24	Condenser Fan	ALL	1PC	0USF14	KCHUC48R	738264
25	Evaporate Pipe	ALL	1PC	0USG20	KCHUC48R	738264
26	WATER BOX	ALL	1PC	0USI35	KCHUC48R	738264
27	Compressor	ALL	1PC	0USF25	KCHUC48R	738264
27a	COMPRESSOR ELECTRICAL COMPONENT SET	ALL	1PC	0USDF2	KCHUC48R	738264
28	Suction Pipe	ALL	1PC	0USO26	KCHUC48R	738264
29	CONNECTOR SUPPORT	ALL	1PC	0USDEE	KCHUC48R	738264
30	Cable Connector	ALL	1PC	0USF09	KCHUC48R	738264
31	CONNECTOR COVER	ALL	1PC	0USJ98	KCHUC48R	738264
33	GUIDE OF UNIT BOARD/LEFT	ALL	1PC	0USK50	KCHUC48R	738264
34	UNIT BOARD	ALL	1PC	0USK32	KCHUC48R	738264
35	SHELF SUPPORT B	ALL	4PCS	0USI66	KCHUC48R	738264
35a	Shelf Support Screw	ALL	8PCS	0USM14	KCHUC48R	738264
36	Shelf	ALL	2PCS	0USCOM	KCHUC48R	738264
37	SHELF SUPPORT A	ALL	4PCS	0USI44	KCHUC48R	738264
37a	Shelf Support Screw	ALL	12PCS	0USM14	KCHUC48R	738264
38	K Shape Clip	ALL	8PCS	0USH19	KCHUC48R	738264
39	Up Hinge/Left	ALL	1PC	0USI16	KCHUC48R	738264
40	UP HINGE /RIGHT	ALL	1PC	0USI17	KCHUC48R	738264
41	BUSHING	ALL	2PCS	096268	KCHUC48R	738264
42	GASKET	ALL	2PCS	0USH00	KCHUC48R	738264
43	DOOR/LEFT	ALL	1PC	0USM97	KCHUC48R	738264
44	DOOR SPRING HINGE	ALL	2PCS	0USF83	KCHUC48R	738264
45	RIGHT DOOR	ALL	1PC	0USM98	KCHUC48R	738264
46	DOOR SWITCH	ALL	2PCS	096253	KCHUC48R	738264
47	Door Switch Case	ALL	2PCS	0USF88	KCHUC48R	738264

48	CABLE COVER	ALL	1 PC	0USK07	KCHUC48R	738264
49	BRAKE WHEEL	ALL	2PCS	0USF03	KCHUC48R	738264
49a	Castor Mounting Bolt (4-PACK)	ALL	4PC	0USC2U	KCHUC48R	738264
49b	Castor Mounting Locking Washer (4-PACK)	ALL	4PC	0USC4A	KCHUC48R	738264
49c	Castor Mounting Flat Washer (4-PACK)	ALL	4PC	0USC2X	KCHUC48R	738264
50	FRONT SUPPORT OF UNIT BOARD	ALL	1PC	0USJ59	KCHUC48R	738264
51	BACK SUPPORT OF UNIT BOARD	ALL	1PC	0USJ60	KCHUC48R	738264
52	Lower Door Hinge/Left	ALL	1PC	0USF80	KCHUC48R	738264
53	GUIDE OF UNIT BOARD/RIGHT	ALL	1PC	0USK49	KCHUC48R	738264
54	DRIER SUPPORT	ALL	1 PC	0USI78	KCHUC48R	738264
55	DRAIN PIPE(B EXT)	ALL	1PC	096263	KCHUC48R	738264
56	DRAIN PIPE(A INT)	ALL	1PC	0USG04	KCHUC48R	738264
56a	DRAIN FIXER	ALL	1PC	0USN75	KCHUC48R	738264
56b	DRAIN PIPE	ALL	1PC	0USM54	KCHUC48R	738264
57	Middle Girder	ALL	1PC	0USH56	KCHUC48R	738264
58	Middle Girder Fixer	ALL	2PCS	0USH59	KCHUC48R	738264
59	Transformer	ALL	1PC	096252	KCHUC48R	738264



**EXPLODE OF KCHUC48R**